



**APEX DYNAMICS, INC.**

**HIGH PRECISION  
PLANETARY GEARBOX**

**AFX / AFXR Series**



**Stainless**

## **AFX / AFXR Series**

### **▶ Features:**

High Torque

High Precision

Long Service Life

Low Noise

Limited Temperature Rise

More Suitable for Continuous Running

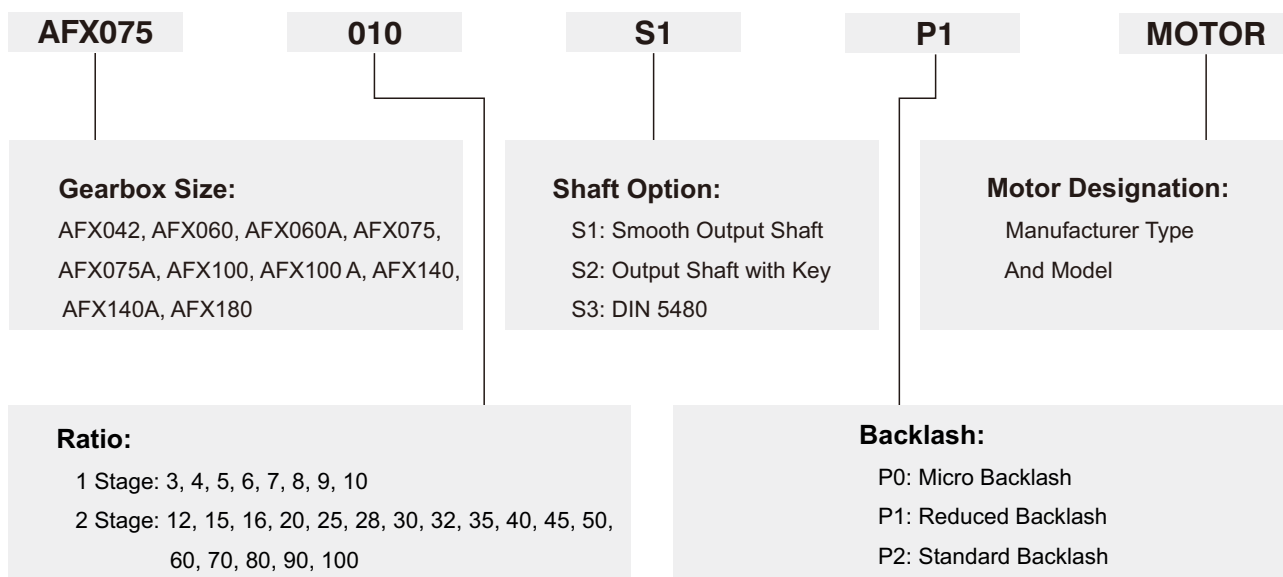


**AFX**



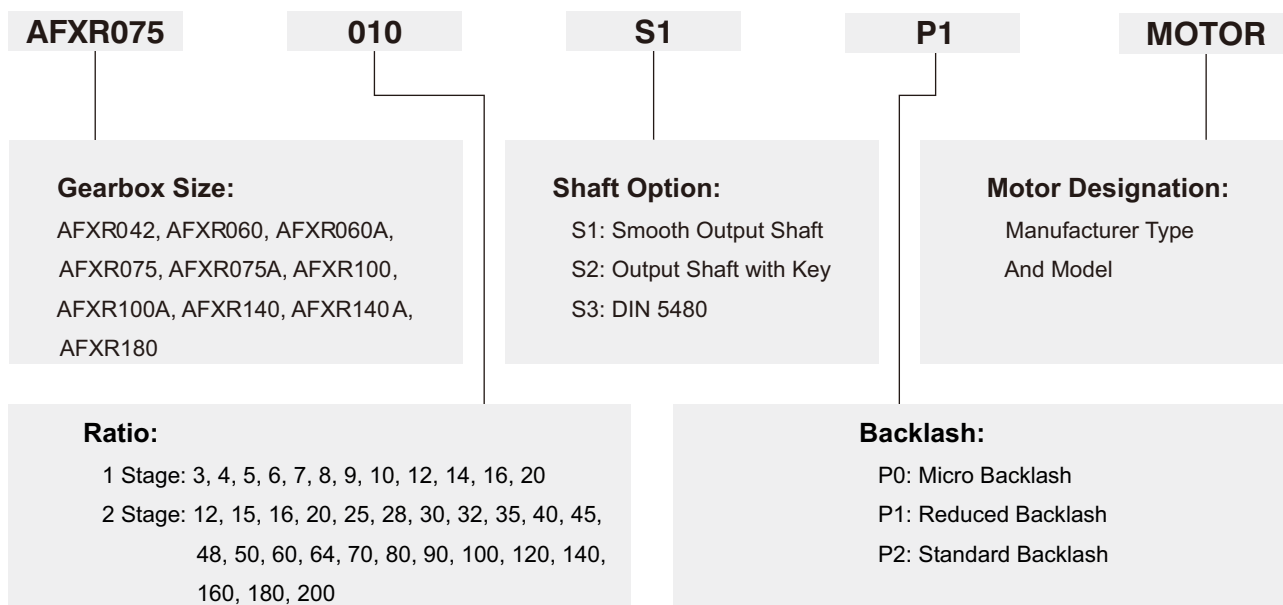
**AFXR**

# AFX Series



**Ordering Example: AFX075-010-S1-P1 / SIEMENS 1FT6 041-4AF71**

# AFXR Series



**Ordering Example: AFXR075-010-S1-P1 / SIEMENS 1FT6 041-4AF71**

# Specifications / AFX Series

## Gearbox Performance

Model No.	Stages	Ratio <sup>A</sup>	AFX042 <sup>F</sup>	AFX060	AFX060A	AFX075	AFX075A	AFX100	AFX100A	AFX140	AFX140A	AFX180	
Nominal Output Torque $T_{2N}$	1	3	20	55	-	130	-	208	-	342	-	588	
		4	19	50	-	140	-	290	-	542	-	1,050	
		5	22	60	-	160	-	330	-	650	-	1,200	
		6	20	55	-	150	-	310	-	600	-	1,100	
		7	19	50	-	140	-	300	-	550	-	1,100	
		8	17	45	-	120	-	260	-	500	-	1,000	
		9	14	40	-	100	-	230	-	450	-	900	
		10	14	40	-	100	-	230	-	450	-	900	
		2	12	19	-	-	140	140	290	290	542	542	1,050
			15	20	55	55	130	130	208	208	342	342	588
	16		19	-	-	140	140	290	290	542	542	1,050	
	20		19	50	50	140	140	290	290	542	542	1,050	
	25		22	60	60	160	160	330	330	650	650	1,200	
	28		19	-	-	140	140	300	300	550	550	1,100	
	30		20	55	55	150	150	310	310	600	600	1,100	
	32		17	-	-	120	120	260	260	500	500	1,000	
	35		19	50	50	140	140	300	300	550	550	1,100	
	40		17	45	45	120	120	260	260	500	500	1,000	
	45	14	40	40	100	100	230	230	450	450	900		
	50	22	60	60	160	160	330	330	650	650	1,200		
60	20	55	55	150	150	310	310	600	600	1,100			
70	19	50	50	140	140	300	300	550	550	1,100			
80	17	45	45	120	120	260	260	500	500	1,000			
90	14	40	40	100	100	230	230	450	450	900			
100	14	40	40	100	100	230	230	450	450	900			
Emergency Stop Torque $T_{2NOT}$ <sup>B</sup>	Nm	1,2	3~100	3 times of Nominal Output Torque									
Nominal Input Speed $n_{1N}$	rpm	1,2	3~100	5,000	5,000	5,000	4,000	4,000	4,000	4,000	3,000	3,000	3,000
Max. Input Speed $n_{1B}$	rpm	1,2	3~100	10,000	10,000	10,000	8,000	8,000	8,000	8,000	6,000	6,000	6,000
Micro Backlash P0	arcmin	1	3~10	-	-	-	≤1	-	≤1	-	≤1	-	≤1
		2	12~100	-	-	-	-	-	≤3	≤3	≤3	≤3	≤3
Reduced Backlash P1	arcmin	1	3~10	≤3	≤3	-	≤3	-	≤3	-	≤3	-	≤3
		2	12~100	≤5	≤5	≤5	≤5	≤5	≤5	≤5	≤5	≤5	≤5
Standard Backlash P2	arcmin	1	3~10	≤5	≤5	-	≤5	-	≤5	-	≤5	-	≤5
		2	12~100	≤7	≤7	≤7	≤7	≤7	≤7	≤7	≤7	≤7	≤7
Torsional Rigidity	Nm/arcmin	1,2	3~100	3	7	7	14	14	25	25	50	50	145
Max. Radial Load $F_{2RB}$ <sup>C</sup>	N	1,2	3~100	610	2,900	2,900	4,500	4,500	7,800	7,800	9,450	9,450	15,600
Max. Axial Load $F_{2aB}$ <sup>C</sup>	N	1,2	3~100	320	1,450	1,450	2,250	2,250	3,900	3,900	4,725	4,725	7,800
Service Life <sup>D</sup>	hr	1,2	3~100	30,000									
Efficiency $\eta$	%	1	3~10	≥97%									
		2	12~100	≥94%									
Weight	kg	1	3~10	0.6	1.7	-	3.5	-	7.4	-	15.8	-	32.7
		2	12~100	0.8	2	1.5	4	4.1	9	11.3	19.1	22.5	37.6
Operating Temperature	°C	1,2	3~100	-10°C~+90°C									
Lubrication		1,2	3~100	Synthetic lubrication oils									
Degree of Gearbox Protection		1,2	3~100	IP65									
Mounting Position		1,2	3~100	all directions									
Noise ( $n_1=3000$ rpm, $i=10$ , No load) <sup>E</sup>	dB	1,2	3~100	≤56	≤58	≤60	≤60	≤63	≤63	≤65	≤65	≤67	≤67

A. Ratio ( $i=N_{in}/N_{out}$ )B. Max. acceleration torque  $T_{2B} = 60\%$  of  $T_{2NOT}$ 

C. Applied to the output shaft center at 100 rpm

D. For continuous operation, the service life time is reduced

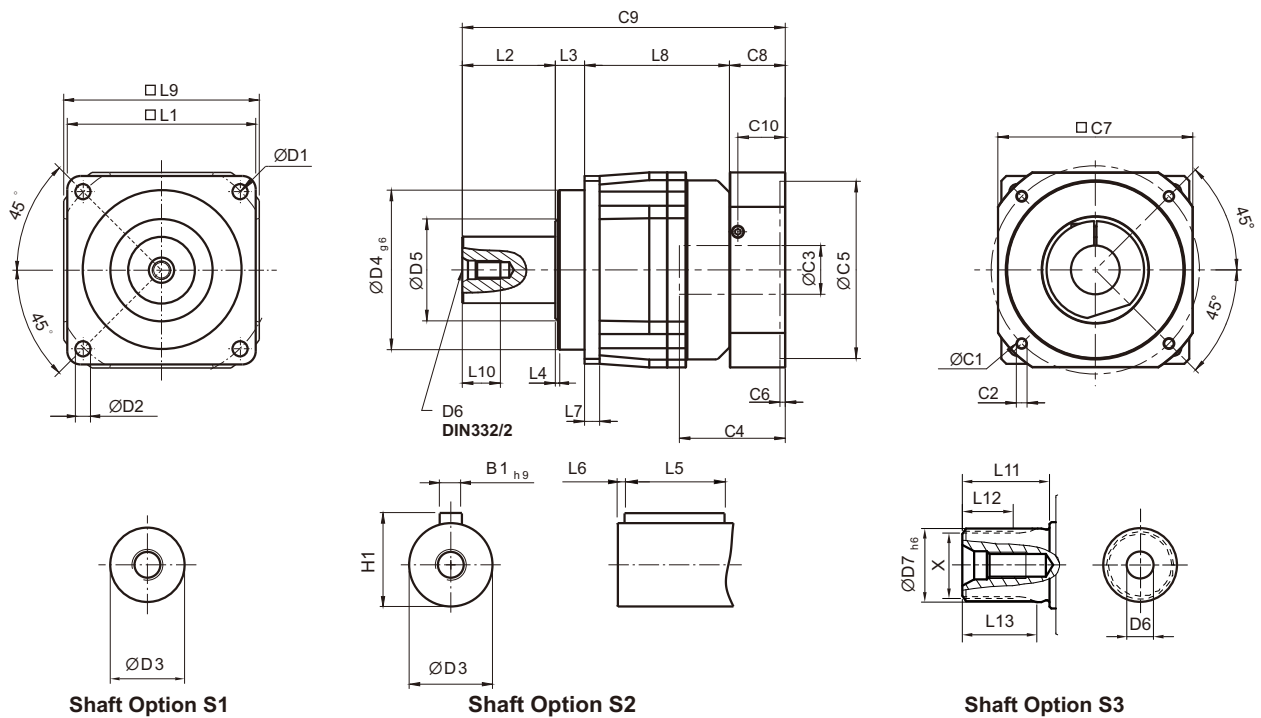
E. These values are measured by gearbox with ratio = 10 (1-stage) or ratio = 100 (2-stage) at 3,000 rpm no loading.  
by lower ratio and / or higher RPM, the noise level could be 3 to 5 dB Higher.

F. Continuous operation is not supported.

## Gearbox Inertia

Model No.	Stages	Ratio <sup>1</sup>	AFX042	AFX060	AFX060A	AFX075	AFX075A	AFX100	AFX100A	AFX140	AFX140A	AFX180
Mass Moments of Inertia J <sub>i</sub>	1	3	0.03	0.16	-	0.61	-	3.25	-	9.21	-	28.98
		4	0.03	0.14	-	0.48	-	2.74	-	7.54	-	23.67
		5	0.03	0.13	-	0.47	-	2.71	-	7.42	-	23.29
		6	0.03	0.13	-	0.45	-	2.65	-	7.25	-	22.75
		7	0.03	0.13	-	0.45	-	2.62	-	7.14	-	22.48
		8	0.03	0.13	-	0.44	-	2.58	-	7.07	-	22.59
		9	0.03	0.13	-	0.44	-	2.57	-	7.04	-	22.53
		10	0.03	0.13	-	0.44	-	2.57	-	7.03	-	22.51
		12	0.03	-	-	0.16	0.61	0.61	3.25	3.25	9.21	9.21
		15	0.03	0.03	0.13	0.13	0.47	0.47	2.71	2.71	7.42	7.42
	2	16	0.03	-	-	0.14	0.48	0.48	2.74	2.74	7.54	7.54
		20	0.03	0.03	0.13	0.13	0.47	0.47	2.71	2.71	7.42	7.42
		25	0.03	0.03	0.13	0.13	0.47	0.47	2.71	2.71	7.42	7.42
		28	0.03	-	-	0.14	0.48	0.48	2.74	2.74	7.54	7.54
		30	0.03	0.03	0.13	0.13	0.47	0.47	2.71	2.71	7.42	7.42
		32	0.03	-	-	0.14	0.48	0.48	2.74	2.74	7.54	7.54
		35	0.03	0.03	0.13	0.13	0.47	0.47	2.71	2.71	7.42	7.42
		40	0.03	0.03	0.13	0.13	0.47	0.47	2.71	2.71	7.42	7.42
		45	0.03	0.03	0.13	0.13	0.47	0.47	2.71	2.71	7.42	7.42
		50	0.03	0.03	0.13	0.13	0.44	0.44	2.57	2.57	7.03	7.03
60	0.03	0.03	0.13	0.13	0.44	0.44	2.57	2.57	7.03	7.03		
70	0.03	0.03	0.13	0.13	0.44	0.44	2.57	2.57	7.03	7.03		
80	0.03	0.03	0.13	0.13	0.44	0.44	2.57	2.57	7.03	7.03		
90	0.03	0.03	0.13	0.13	0.44	0.44	2.57	2.57	7.03	7.03		
100	0.03	0.03	0.13	0.13	0.44	0.44	2.57	2.57	7.03	7.03		

# Dimensions (1-stage, Ratio $i=3\sim 10$ ) / AFX Series

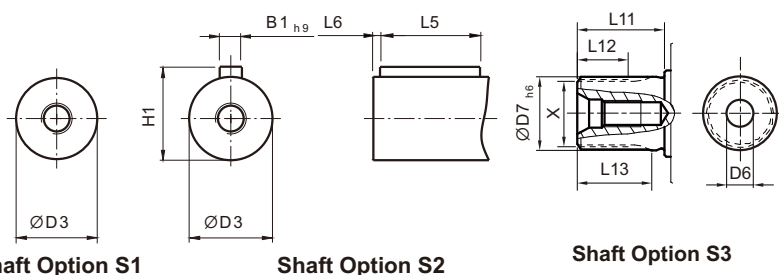
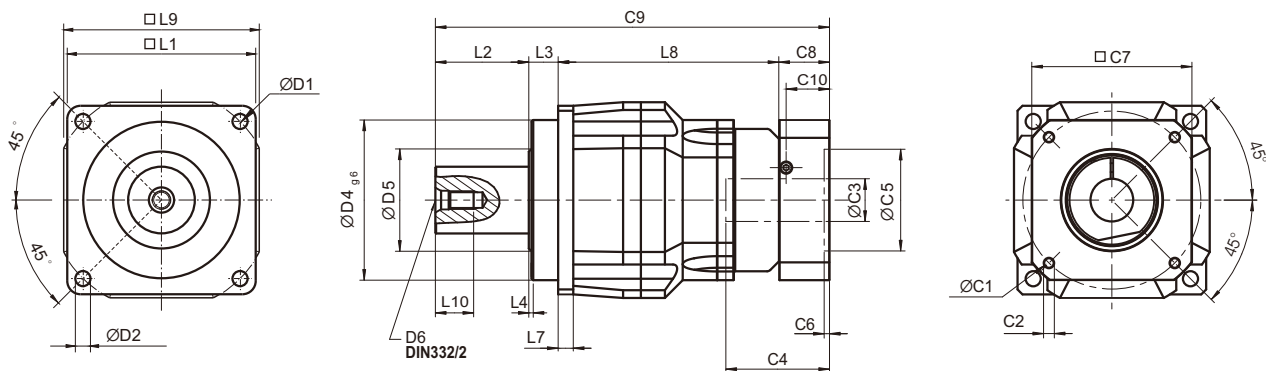


[unit: mm]

Dimension	AFX042	AFX060	AFX075	AFX100	AFX140	AFX180
D1	50	68	85	120	165	215
D2	3.4	5.5	6.8	9	11	13
D3	12 <sub>j6</sub>	16 <sub>h6</sub>	22 <sub>h6</sub>	32 <sub>h6</sub>	40 <sub>h6</sub>	55 <sub>h6</sub>
D4 g6	35	60	70	90	130	160
D5	22	21	30	40	75	95
D6	M4 x 0.7P	M5 x 0.8P	M8 x 1.25P	M12 x 1.75P	M16 x 2P	M20 x 2.5P
D7 h6	-	16	22	32	40	55
L1	42	62	76	105	142	180
L2	19.5	28.5	36.5	58	82	82
L3	6.5	20	19.5	30	30	30
L4	1	1.5	1.5	2	3	3
L5	14	25	32	40	63	70
L6	2	2	3	5	5	6
L7	4	6	7	10	12	15
L8	31	62	84	103.5	132	180.5
L9	42	70	90	115	142	180
L10	10	12.5	19	28	36	42
L11	-	26	26	26	40	41.5
L12	-	15	15	15	20	21.5
L13	-	21	22.5	23	33.5	33.5
C1 <sup>1</sup>	46	70	100	130	165	215
C2 <sup>1</sup>	M4 x 0.7P	M5 x 0.8P	M6 x 1P	M8 x 1.25P	M10 x 1.5P	M12 x 1.75P
C3 <sup>1</sup>	≤11 / ≤12 <sup>2</sup>	≤14 / ≤16 <sup>2</sup>	≤19 / ≤24	≤32	≤38	≤48
C4 <sup>1</sup>	25	34	40	50	60	85
C5 <sup>1</sup>	30	50	80	110	130	180
C6 <sup>1</sup>	3.5	8	4	5	6	6
C7 <sup>1</sup>	42	60	90	115	142	190
C8 <sup>1</sup>	29.5	19	17	19.5	22.5	29
C9 <sup>1</sup>	86.5	129.5	157	211	266.5	321.5
C10 <sup>1</sup>	8.75	13.5	10.75	13	15	20.75
B1 h9	4	5	6	10	12	16
H1	13.5	18	24.5	35	43	59
X DIN5480	-	W16x0.8x 30x18x6m	W22x1.25x 30x16x6m	W32x1.25x 30x24x6m	W40x2x 30x18x6m	W55x2x 30x26x6m

1. C1-C10 are motor specific dimensions (metric std shown). Refer to [www.apexdyna.com](http://www.apexdyna.com) and Design Tool to view your specific motor mounting system.  
 2. AFX042 ratio 5, 10 offers C3 ≤ 12 option. AFX060 ratio 5, 10 offers C3 ≤ 16 option

# Dimensions (2-stage, Ratio i=12~100) / AFX Series

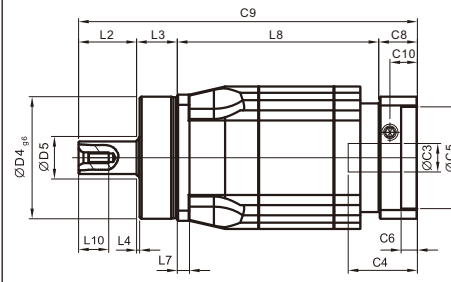


Shaft Option S1

Shaft Option S2

Shaft Option S3

AFX060A / AFX075A / AFX100A / AFX140A



[unit: mm]

Dimension	AFX042	AFX060	AFX060A	AFX075	AFX075A	AFX100	AFX100A	AFX140	AFX140A	AFX180
D1	50	68		85		120		165		215
D2	3.4	5.5		6.8		9		11		13
D3	12 <sub>js</sub>	16 <sub>h6</sub>		22 <sub>h6</sub>		32 <sub>h6</sub>		40 <sub>h6</sub>		55 <sub>h6</sub>
D4 g6	35	60		70		90		130		160
D5	22	21		30		40		75		95
D6	M4x0.7P	M5x0.8P		M8x1.25P		M12x1.75P		M16x2P		M20x2.5P
D7 h6	-	16		22		32		40		55
L1	42	62		76		105		142		180
L2	19.5	28.5		36.5		58		82		82
L3	6.5	20		19.5		30		30		30
L4	1	1.5		1.5		2		3		3
L5	14	25		32		40		63		70
L6	2	2		3		5		5		6
L7	4	6		7		10		12		15
L8	58.5	73	99	117	132	145	164.5	188.5	203.5	236
L9	42	70		90		115		142		180
L10	10	12.5		19		28		36		42
L11	-	26		26		26		40		41.5
L12	-	15		15		15		20		21.5
L13	-	21		22.5		23		33.5		33.5
C1 <sup>3</sup>	46	46	70	70	100	100	130	130	165	165
C2 <sup>3</sup>	M4x0.7P	M4x0.7P	M5x0.8P	M5x0.8P	M6x1P	M6x1P	M8x1.25P	M8x1.25P	M10x1.5P	M10x1.5P
C3 <sup>3</sup>	≤11/≤12	≤11/≤12	≤14/≤16	≤14/≤15.875/≤16	≤19/≤24	≤19/≤24	≤32	≤32	≤38	≤38
C4 <sup>3</sup>	25	25	34	34	40	40	50	50	60	60
C5 <sup>3</sup>	30	30	50	50	80	80	110	110	130	130
C6 <sup>3</sup>	3.5	3.5	8	8	4	4	5	5	6	6
C7 <sup>3</sup>	42	42	60	60	90	90	115	115	142	142
C8 <sup>3</sup>	29.5	29.5	19	19	17	17	19.5	19.5	22.5	22.5
C9 <sup>3</sup>	114	151	166.5	192	205	250	272	320	338	370.5
C10 <sup>3</sup>	8.75	8.75	13.5	13.5	10.75	10.75	13	13	15	15
B1 h9	4	5		6		10		12		16
H1	13.5	18		24.5		35		43		59
X DIN5480	-	W16x0.8x 30x18x6m		W22x1.25x 30x16x6m		W32x1.25x 30x24x6m		W40x2x 30x18x6m		W55x2x 30x26x6m

3. C1~C10 are motor specific dimensions (metric std shown). Refer to [www.apexdyna.com](http://www.apexdyna.com) and Design Tool to view your specific motor mounting system.

# Specifications / AFXR Series

## Gearbox Performance

Model No.	Stages	Ratio <sup>A</sup>	AFXR042 <sup>F</sup>	AFXR060	AFXR060A	AFXR075	AFXR075A	AFXR100	AFXR100A	AFXR140	AFXR140A	AFXR180	
Nominal Output Torque $T_{2N}$	1	3	9	36	-	90	-	195	-	342	-	588	
		4	12	48	-	120	-	260	-	520	-	1,040	
		5	15	60	-	150	-	325	-	650	-	1,200	
		6	18	55	-	150	-	310	-	600	-	1,100	
		7	19	50	-	140	-	300	-	550	-	1,100	
		8	17	45	-	120	-	260	-	500	-	1,000	
		9	14	40	-	100	-	230	-	450	-	900	
		10	14	40	-	150	-	325	-	650	-	1,200	
		12	-	-	-	150	-	310	-	600	-	1,100	
		14	-	42	-	140	-	300	-	550	-	1,100	
	16	-	-	-	120	-	260	-	500	-	1,000		
	20	-	40	-	100	-	230	-	450	-	900		
	2	12	12	-	-	-	-	-	-	-	-	-	-
		15	14	-	-	-	-	-	-	-	-	-	-
		16	15	-	-	-	-	-	-	-	-	-	-
		20	14	-	-	-	-	-	-	-	-	-	-
		25	15	60	60	150	150	325	325	650	650	1,200	
		28	19	-	-	140	140	300	300	550	550	1,100	
		30	20	55	55	150	150	310	310	600	600	1,100	
		32	17	-	-	120	120	260	260	500	500	1,000	
		35	19	50	50	140	140	300	300	550	550	1,100	
		40	17	45	45	120	120	260	260	500	500	1,100	
		45	14	40	40	100	100	230	230	450	450	900	
		48	-	-	-	150	150	310	310	600	600	1,100	
		50	14	60	60	100	100	230	230	650	650	1,200	
		60	20	55	55	150	150	310	310	600	600	1,100	
		64	-	-	-	120	120	260	260	500	500	1,000	
		70	19	50	50	140	140	300	300	550	550	1,100	
		80	17	45	45	120	120	260	260	500	500	1,000	
		90	14	40	40	100	100	230	230	450	450	900	
		100	14	40	60	150	150	325	325	650	650	1,200	
		120	-	-	55	150	150	310	310	600	600	1,100	
140	-	-	50	140	140	300	300	550	550	1,100			
160	-	-	45	120	120	260	260	550	550	1,000			
180	-	-	40	100	100	230	230	450	450	900			
200	-	-	40	100	100	230	230	450	450	900			
Emergency Stop Torque $T_{2NOT}$ <sup>B</sup>	Nm	1,2	3~200	3 times of Nominal Output Torque									
Nominal Input Speed $n_{1N}$	rpm	1,2	3~200	5,000	5,000	5,000	4,000	4,000	4,000	4,000	3,000	3,000	3,000
Max. Input Speed $n_{1B}$	rpm	1,2	3~200	10,000	10,000	10,000	8,000	8,000	8,000	8,000	6,000	6,000	6,000
Micro Backlash P0	arcmin	1	3~20	-	-	-	≤2	-	≤2	-	≤2	-	≤2
		2	12~200	-	-	-	≤4	≤4	≤4	≤4	≤4	≤4	≤4
Reduced Backlash P1	arcmin	1	3~20	≤4	≤4	-	≤4	-	≤4	-	≤4	-	≤4
		2	12~200	≤7	≤7	≤7	≤7	≤7	≤7	≤7	≤7	≤7	≤7
Standard Backlash P2	arcmin	1	3~20	≤6	≤6	-	≤6	-	≤6	-	≤6	-	≤6
		2	12~200	≤9	≤9	≤9	≤9	≤9	≤9	≤9	≤9	≤9	≤9
Torsional Rigidity	Nm/arcmin	1,2	3~200	3	7	7	14	14	25	25	50	50	145
Max. Radial Load $F_{2B}$ <sup>C</sup>	N	1,2	3~200	610	2,900	2,900	4,500	4,500	7,800	7,800	9,450	9,450	15,600
Max. Axial Load $F_{2aB}$ <sup>C</sup>	N	1,2	3~200	320	1,450	1,450	2,250	2,250	3,900	3,900	4,725	4,725	7,800
Service Life <sup>D</sup>	hr	1,2	3~200	30,000									
Efficiency $\eta$	%	1	3~20	≥95%									
		2	12~200	≥92%									
Weight	kg	1	3~20	0.9	2.7	-	6.1	-	12.2	-	25.3	-	50.2
		2	12~200	1.2	2.4	3.7	4.8	7.9	11.6	16	24	32	47.4
Operating Temperature	°C	1,2	3~200	-10°C~+90°C									
Lubrication		1,2	3~200	Synthetic lubrication oils									
Degree of Gearbox Protection		1,2	3~200	IP65									
Mounting Position		1,2	3~200	all directions									
Noise ( $n_1=3000$ rpm, $i=10$ , No load) <sup>E</sup>	dB	1,2	3~200	≤61	≤63	≤65	≤65	≤68	≤68	≤70	≤70	≤72	≤72

A. Ratio ( $i=N_{in}/N_{out}$ )B. Max. acceleration torque  $T_{2B} = 60\%$  of  $T_{2NOT}$ 

C. Applied to the output shaft center at 100 rpm

D. For continuous operation, the service life time is reduced

E. These values are measured by gearbox with ratio = 10 (1-stage) or ratio = 100 (2-stage) at 3,000 rpm no loading. by lower ratio and / or higher RPM, the noise level could be 3 to 5 dB Higher.

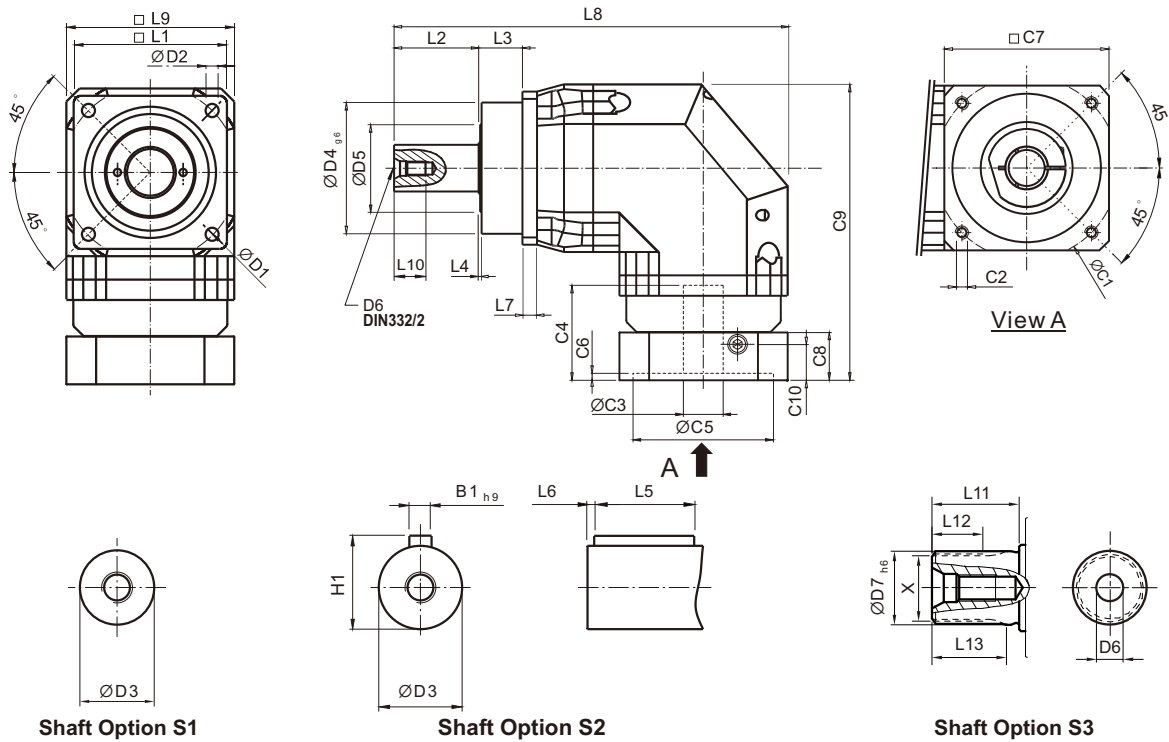
F. Continuous operation is not supported.



## Gearbox Inertia

Model No.	Stages	Ratio <sup>A</sup>	AFXR042	AFXR060	AFXR060A	AFXR075	AFXR075A	AFXR100	AFXR100A	AFXR140	AFXR140A	AFXR180	
Mass Moments of Inertia J,	1	3~10	0.09	0.35	–	2.25	–	6.84	–	23.4	–	68.9	
		12~20	–	0.07	–	1.87	–	6.25	–	21.8	–	65.6	
	2	12~20	0.09	–	–	–	–	–	–	–	–	–	–
		25~90	0.09	0.09	0.35	0.35	2.25	2.25	6.84	6.84	23.4	23.4	–
		48, 64	–	–	0.07	0.31	1.87	1.87	6.25	6.25	21.8	21.8	–
		100	0.09	0.09	0.07	0.31	1.87	1.87	6.25	6.25	21.8	21.8	–
		120~200	–	–	0.07	0.31	1.87	1.87	6.25	6.25	21.8	21.8	–

# Dimensions (1-stage, Ratio $i=3\sim 20$ ) / AFXR Series

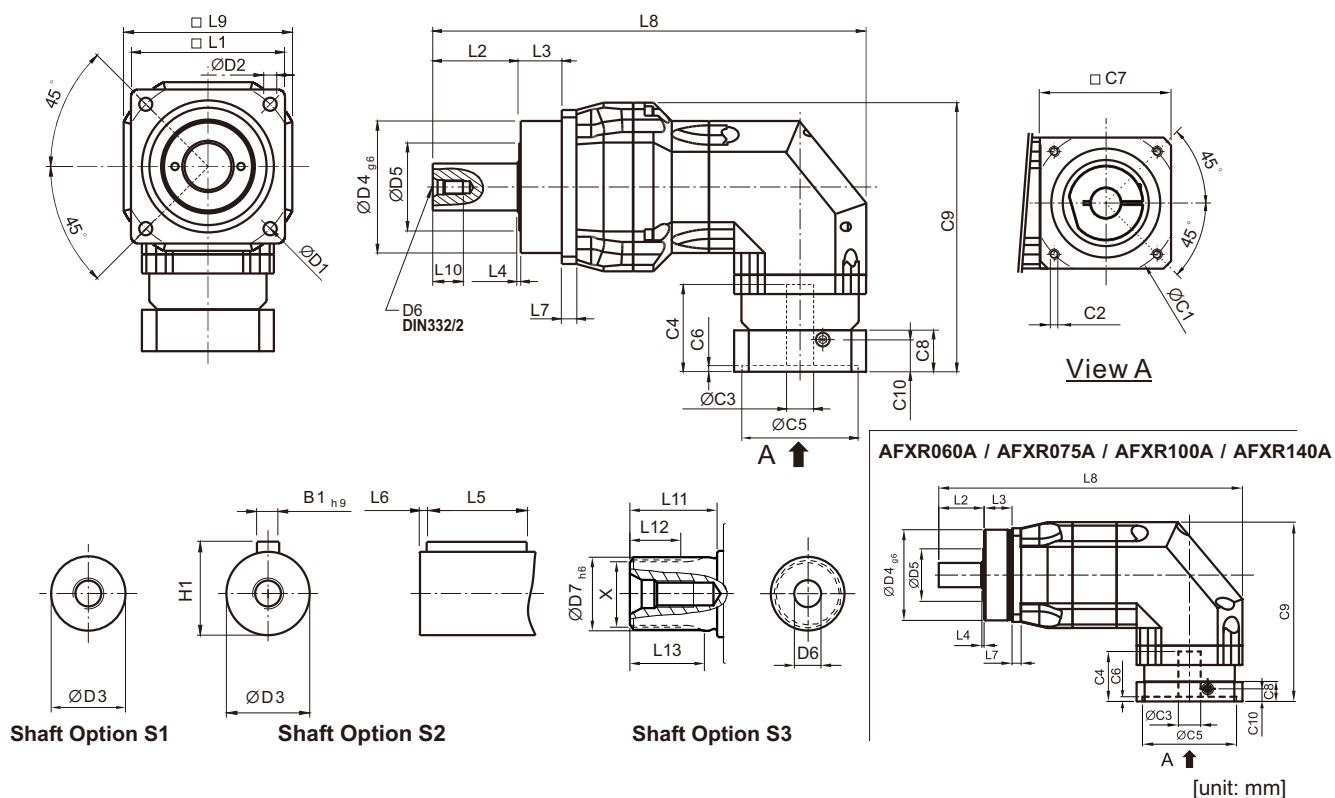


[unit: mm]

Dimension	AFXR042	AFXR060	AFXR075	AFXR100	AFXR140	AFXR180
D1	50	68	85	120	165	215
D2	3.4	5.5	6.8	9	11	13
D3	12 <sub>j6</sub>	16 <sub>h6</sub>	22 <sub>h6</sub>	32 <sub>h6</sub>	40 <sub>h6</sub>	55 <sub>h6</sub>
D4 g6	35	60	70	90	130	160
D5	22	21	30	40	75	95
D6	M4 x 0.7P	M5 x 0.8P	M8 x 1.25P	M12 x 1.75P	M16 x 2P	M20 x 2.5P
D7 h6	-	16	22	32	40	55
L1	42	62	76	105	142	180
L2	19.5	28.5	36.5	58	82	82
L3	6.5	20	19.5	30	30	30
L4	1	1.5	1.5	2	3	3
L5	14	25	32	40	63	70
L6	2	2	3	5	5	6
L7	4	6	7	10	12	15
L8	111.5	171.5	216.5	283.5	360.5	427.5
L9	42	70	90	115	142	180
L10	10	12.5	19	28	36	42
L11	-	26	26	26	40	41.5
L12	-	15	15	15	20	21.5
L13	-	21	22.5	23	33.5	33.5
C1 <sup>1</sup>	46	70	100	130	165	215
C2 <sup>1</sup>	M4 x 0.7P	M5 x 0.8P	M6 x 1P	M8 x 1.25P	M10 x 1.5P	M12 x 1.75P
C3 <sup>1</sup>	≤11 / ≤12	≤14 / ≤16	≤19 / ≤24	≤32	≤38	≤48
C4 <sup>1</sup>	25	34	40	50	60	85
C5 <sup>1</sup>	30	50	80	110	130	180
C6 <sup>1</sup>	3.5	8	4	5	6	6
C7 <sup>1</sup>	42	60	90	115	142	190
C8 <sup>1</sup>	29.5	19	17	19.5	22.5	29
C9 <sup>1</sup>	90.5	116.5	152.5	191.5	235.5	303.5
C10 <sup>1</sup>	8.75	13.5	10.75	13	15	20.75
B1 h9	4	5	6	10	12	16
H1	13.5	18	24.5	35	43	59
X DIN5480	-	W16x0.8x 30x18x6m	W22x1.25x 30x16x6m	W32x1.25x 30x24x6m	W40x2x 30x18x6m	W55x2x 30x26x6m

1. C1-C10 are motor specific dimensions (metric std shown). Refer to [www.apexdyna.com](http://www.apexdyna.com) and Design Tool to view your specific motor mounting system.

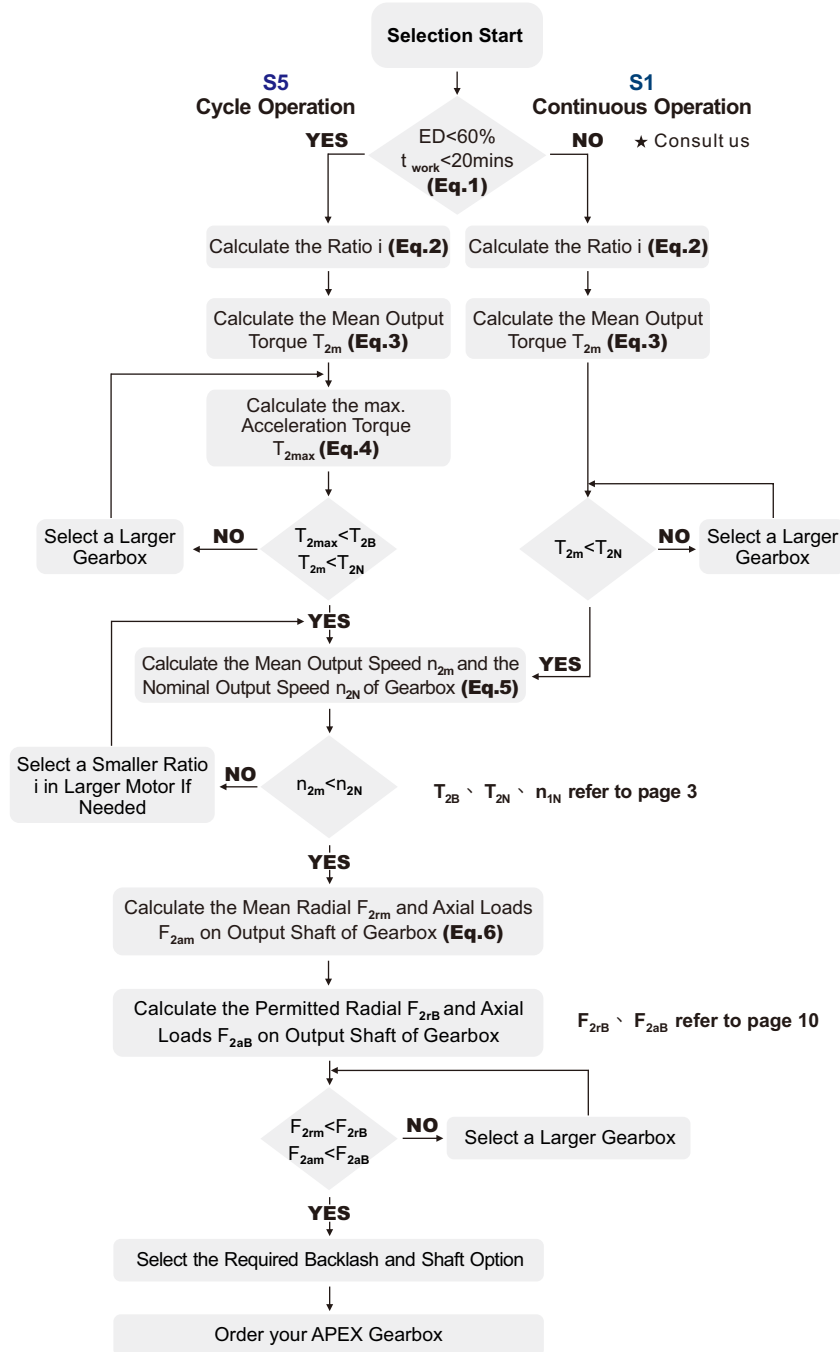
# Dimensions (2-stage, Ratio $i=12\sim 200$ ) / AFXR Series



Dimension	AFXR042	AFXR060	AFXR060A	AFXR075	AFXR075A	AFXR100	AFXR100A	AFXR140	AFXR140A	AFXR180
D1	50	68		85		120		165		215
D2	3.4	5.5		6.8		9		11		13
D3	12 <sub>j6</sub>	16 <sub>h6</sub>		22 <sub>h6</sub>		32 <sub>h6</sub>		40 <sub>h6</sub>		55 <sub>h6</sub>
D4 <sub>g6</sub>	35	60		70		90		130		160
D5	22	21		30		40		75		95
D6	M4x0.7P	M5x0.8P		M8x1.25P		M12x1.75P		M16x2P		M20x2.5P
D7 <sub>h6</sub>	-	16		22		32		40		55
L1	42	62		76		105		142		180
L2	19.5	28.5		36.5		58		82		82
L3	6.5	20		19.5		30		30		30
L4	1	1.5		1.5		2		3		3
L5	14	25		32		40		63		70
L6	2	2		3		5		5		6
L7	4	6		7		10		12		15
L8	139	176	208.5	220	264.5	309.5	344.5	392.5	432	464.5
L9	42	70		90		115		142		180
L10	10	12.5		19		28		36		42
L11	-	26		26		26		40		41.5
L12	-	15		15		15		20		21.5
L13	-	21		22.5		23		33.5		33.5
C1 <sup>2</sup>	46	46	70	70	100	100	130	130	165	165
C2 <sup>2</sup>	M4x0.7P	M4x0.7P	M5x0.8P	M5x0.8P	M6x1P	M6x1P	M8x1.25P	M8x1.25P	M10x1.5P	M10x1.5P
C3 <sup>2</sup>	≤11/≤12	≤11/≤12	≤14/≤16	≤14/≤15.875/≤16	≤19/≤24	≤19/≤24	≤32	≤32	≤38	≤38
C4 <sup>2</sup>	25	25	34	34	40	40	50	50	60	60
C5 <sup>2</sup>	30	30	50	50	80	80	110	110	130	130
C6 <sup>2</sup>	3.5	3.5	8	8	4	4	5	5	6	6
C7 <sup>2</sup>	42	42	60	60	90	90	115	115	142	142
C8 <sup>2</sup>	29.5	29.5	19	19	17	17	19.5	19.5	22.5	22.5
C9 <sup>2</sup>	90.5	104.5	116.5	126.5	152.5	165	191.5	205	235.5	254.5
C10 <sup>2</sup>	8.75	8.75	13.5	13.5	10.75	10.75	13	13	15	15
B1 <sub>h9</sub>	4	5		6		10		12		16
H1	13.5	18		24.5		35		43		59
X DIN5480	-	W16x0.8x 30x18x6m		W22x1.25x 30x16x6m		W32x1.25x 30x24x6m		W40x2x 30x18x6m		W55x2x 30x26x6m

2. C1~C10 are motor specific dimensions (metric std shown). Refer to [www.apexdyna.com](http://www.apexdyna.com) and Design Tool to view your specific motor mounting system.

# Selection of the Optimum Gearbox



**Recommended (for S5 Cycle Operation)**

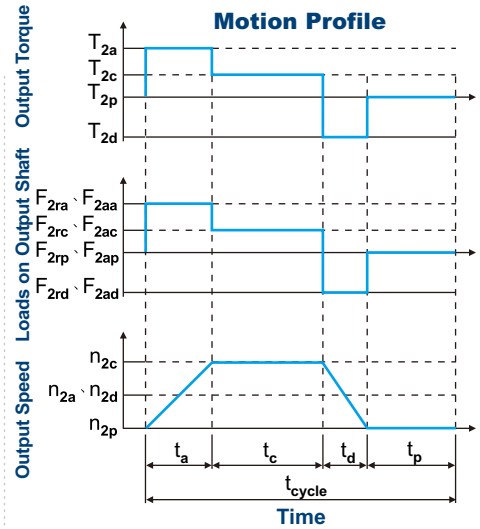
The general design is given for

$$\frac{J_L}{i^2} \leq 4 \times J_m$$

The optimal design is given for

$$\frac{J_L}{i^2} \cong J_m$$

$J_L$  Load Inertia  
 $J_m$  Motor Inertia



$$1. ED = \frac{t_a + t_c + t_d}{t_{cycle}} \times 100\%, t_{work} = t_a + t_c + t_d$$

Index : a. Acceleration, c. Constant, d. Deceleration, p. Pause (Eq.1)

$$2. i \cong \frac{n_m}{n_{work}}$$

$n_m$  Output Speed of the Motor  
 $n_{work}$  Working Speed (Eq.2)

$$3. T_{2m} = \sqrt[3]{\frac{n_{2a} \times t_a \times T_{2a}^3 + n_{2c} \times t_c \times T_{2c}^3 + n_{2d} \times t_d \times T_{2d}^3}{n_{2a} \times t_a + n_{2c} \times t_c + n_{2d} \times t_d}}$$

(Eq.3)

$$4. T_{2max} = T_{mB} \times i \times k_s \times \eta$$

where  $K_s$  is

$K_s$	No. of Cycles / hr
1.0	0~1,000
1.1	1,000 ~ 1,500
1.3	1,500 ~ 2,000
1.6	2,000 ~ 3,000
1.8	3,000 ~ 5,000
2.0	5,000 ~ 9,000
2.05	9,000 ~ 10,000
not recommended	above 10,000

$T_{mB}$  Max. Output Torque of the Motor

$\eta$  Efficiency of the Gearbox (Eq.4)

$$5. n_{2a} = n_{2d} = \frac{1}{2} \times n_{2c}$$

$$n_{2m} = \frac{n_{2a} \times t_a + n_{2c} \times t_c + n_{2d} \times t_d}{t_a + t_c + t_d}$$

$$n_{2N} = \frac{n_{1N}}{i}$$

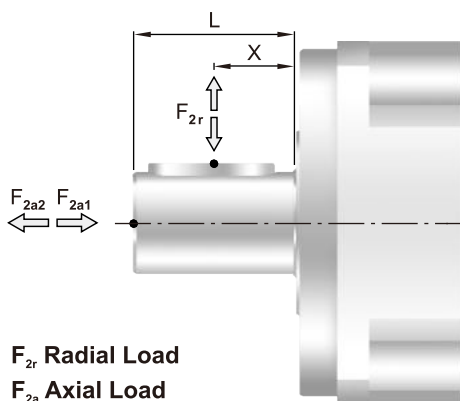
(Eq.5)

$$6. F_{2rm} = \sqrt[3]{\frac{n_{2a} \times t_a \times F_{2ra}^3 + n_{2c} \times t_c \times F_{2rc}^3 + n_{2d} \times t_d \times F_{2rd}^3}{n_{2a} \times t_a + n_{2c} \times t_c + n_{2d} \times t_d}}$$

$$F_{2am} = \sqrt[3]{\frac{n_{2a} \times t_a \times F_{2aa}^3 + n_{2c} \times t_c \times F_{2ac}^3 + n_{2d} \times t_d \times F_{2ad}^3}{n_{2a} \times t_a + n_{2c} \times t_c + n_{2d} \times t_d}}$$

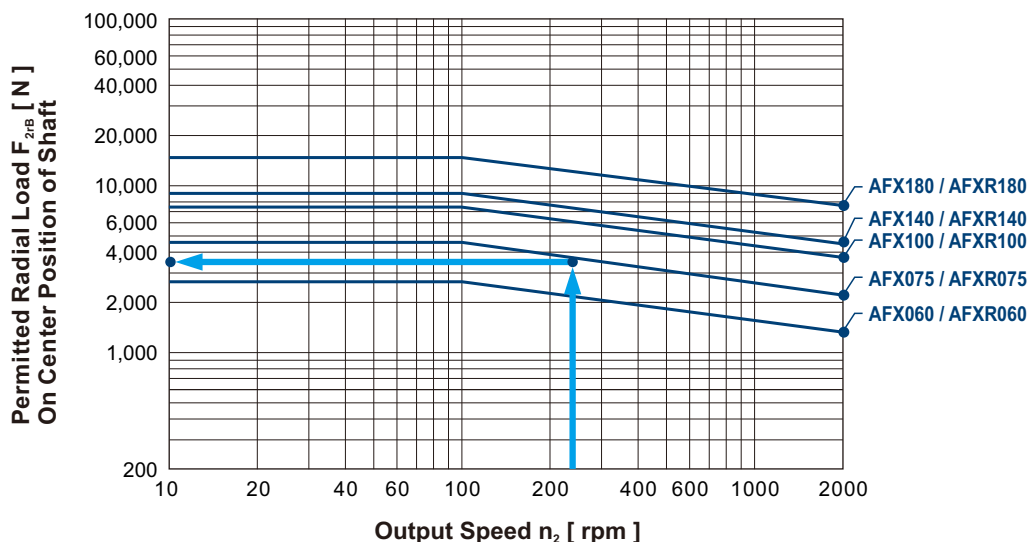
(Eq.6)

# Permitted Radial and Axial Loads

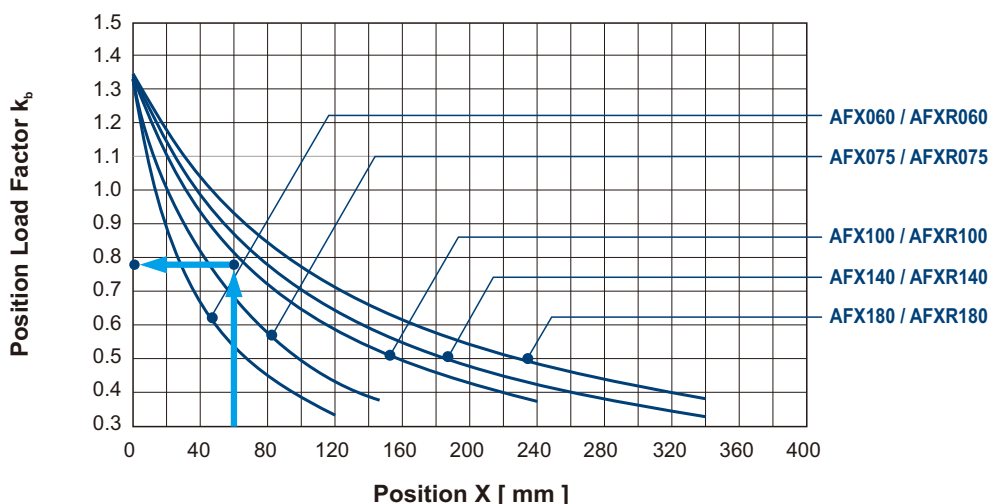


The permitted radial and axial loads on output shaft of the gearbox depend on the design of the gearbox supporting bearings. APEX use the extension straddle oversized ball bearing design. It can take heavy load from both axes.

$F_{2r}$  Radial Load  
 $F_{2a}$  Axial Load



If radial force  $F_{2r}$  is exerted on the center of the output shaft  $X=1/2 \times L$ . Under various operating condition the lifetime is over 30,000 hours\*. The permitted radial load is given on left diagram.



If radial force  $F_{2r}$  is not exerted on the center of the output shaft  $X < 1/2 \times L$  or  $X > 1/2 \times L$ . The permitted radial and axial loads can be calculated by the position load factor  $k_b$  on the left diagram.

\* S1 service life 15,000 hrs



**APEX DYNAMICS, INC.**

**杭州摩森机电科技有限公司**

杭州市滨江区聚园路8号创海基地D503室

电话: 0571-86622450

传真: 0571-86625450

<http://www.apexms.cn>

E-mail: [info@hzmosen.com](mailto:info@hzmosen.com)

**服务热线: 0571-86622450**



公司网址